

**IPI10 Series  
Pneumatic-to-Current Converter  
Style A**

Give instrument Model Code when ordering.  
\*Parts preceded by an asterisk are recommended spare parts.  
See Recommended Spare Parts Summary section for quantities.

TO ORDER PARTS, CALL 1-866-746-6477.

L.&M.  
STRUMENTI DI MISURA  
vendite@lemstrumenti.it

**Foxboro**<sup>®</sup>  
**by Schneider** Electric

MODEL CODE

<u>Description</u>	<u>Model</u>
Pneumatic-to-Current Converter	IPI10
<u>Electronics Version and Output Signal</u> Electronic; 4 to 20 mA Analog Output	-A
<u>Input Signal</u>	
3 to 15 psi	2
3 to 27 psi	3
0.2 to 1.0 kg/cm <sup>2</sup>	4
20 to 100 kPa	5
0.2 to 1.0 bar	6
<u>Conduit Connections and Housing Material</u>	
1/2 NPT Conduit Connection, Both Sides, Aluminum Housing	1
1/2 NPT Conduit Connection, Both Sides, 316 ss Housing	3
<u>Electrical Safety (a)</u>	
CSA certified and Dual Seal Certified per ANSI/ISA 12.27.01.2003, Explosionproof and Div 2.	C
FM Approved, Explosionproof and Nonincendive	F
<u>Optional Selections (see Descriptions below)</u>	
<u>Indicator Cover</u>	
Window Cover to allow Viewing of Internal LCD Indicator (Replaces Blind Cover)	-L3
<u>Electronics Housing Features - Specify Only One</u>	
External Zero Adjustment	-Z1
Custody Transfer Lock and Seal	-Z2
External Zero Adjustment and Custody Transfer Lock and Seal	-Z3
<u>Instruction Books (b)</u>	
Without Instruction Book and CD-ROM (c)	-K1
<u>Miscellaneous Optional Selections</u>	
Low Temperature Operative Limit of -50°C (-58°F)	-J
Supplemental Customer Tag (Stainless Steel Tag wired onto Transmitter)	-T
Without Mounting Bracket Assembly	-Y
Example: IPI10-A21F-L3T	

(a) When intrinsic safety or European nonsparking approvals are required, refer to transmitter Model IGP10-T, which can provide the same pneumatic-to-current conversion as the IPI10.

(b) Only the traditional Paper Instruction Manual and a full documentation set on a CD is supplied.

(c) Only a brief "Getting Started" document is supplied.

PARTS

Figure 1. TRANSMITTER ASSEMBLY

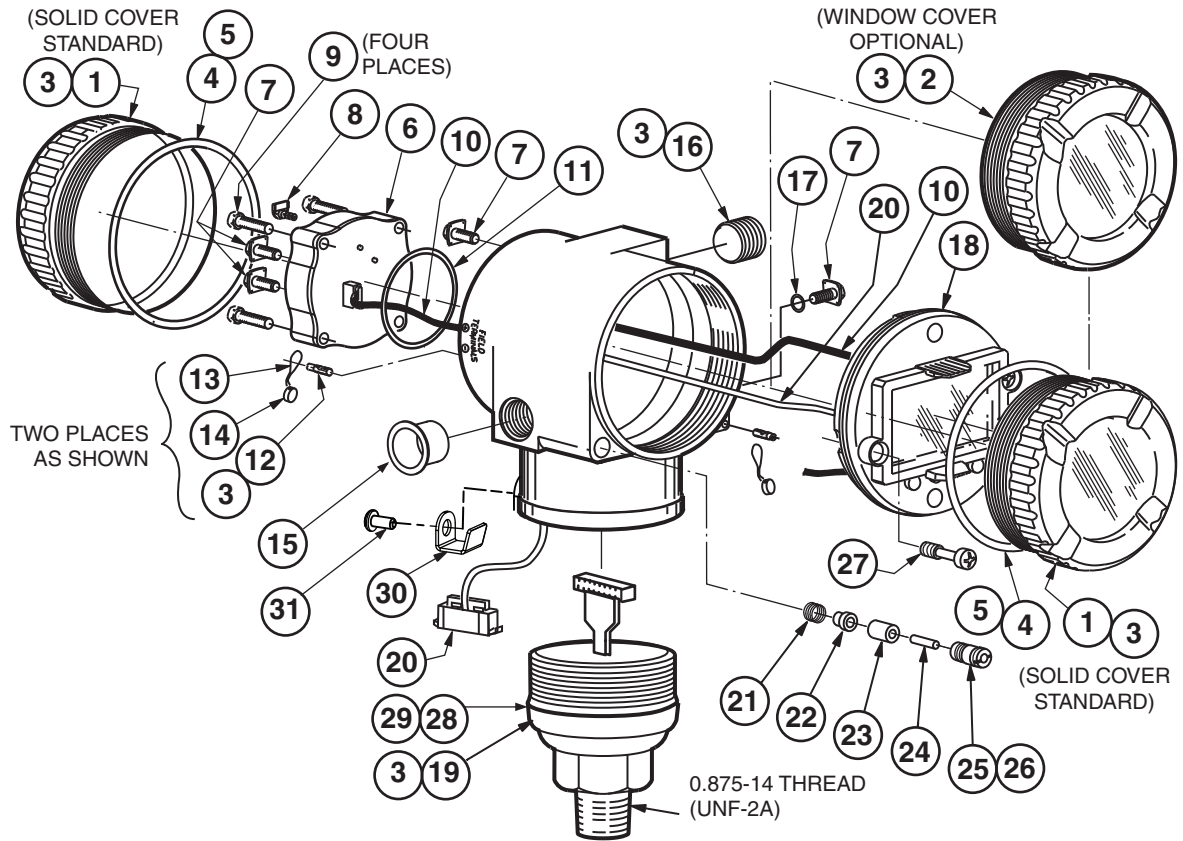


Table 1. Parts for Figure 1

Item	Part No.	Qty.	Part Name
1	Below	2	Cover, Solid (Blind)
	D0162AP		Aluminum (used with Aluminum Housing)
	D0162VD		316 ss (used with 316 ss Housing)
2	Below	1	Cover with Window – Optional Selection “-L3”
	D0162LG		Aluminum (used with Aluminum Housing)
	D0162VG		316 ss (used with 316 ss Housing)
3	X0114AT	A/R	Grease, Lubriplate (14 Ounce Container)
*4	X0201FC	2	O-Ring, Cover
5	0048130	A/R	Grease, Silicone (150 Gram Tube)
6	D0149YB	1	Terminal Block Assembly
7	D0162VJ	4	Screw Assembly, 0.164-32 x 0.375
8	D0162WS	1	Plug (used on Item 6 Terminal Block Assembly)
9	Below	4	Screw, Socket Hd, 0.138-32 x 0.750
	X0133UW		Steel (Used with Housing Material Codes 1 and 3)
	X0133VP		316 ss (Used with Housing Material Codes 2 and 4)
10	P0177JE	1	Cable, Power

Table 1. Parts for Figure 1 (Continued)

Item	Part No.	Qty.	Part Name
11	X0144KR	1	O-Ring
12	D0162WM	2	Screw, Locking, 0.164-32, Used with Optional Selections -Z2 and -Z3.
13	S001807	A/R	Wire, Used with Optional Selections -Z2 and -Z3.
14	S001806	2	Seal, Lead, Used with Optional Selections -Z2 and -Z3.
15	S0102BT	1	Plug, Poly
16	Below	1	Plug, Pipe – for Unused Housing Connection
	B0139CA		Aluminum, 1/2 NPT (used with Aluminum Housing) – see WARNING below
	B0139SK		316 ss, 1/2 NPT (used with 316 ss Housing) – see WARNING below
17	X0173YA	1	Washer, Plain, Ground – 0.196 ID, 0.383 OD
*18	Below	1	Electronics Module Assembly (Includes LCD Indicator)
	D0162UA		Analog, 4 to 20 mA (Code "-A")
	D0162UB		Analog, 4 to 20 mA (Code "-I")
*19	D0161TX	1	Sensor Assembly; Co-Ni-Cr Sensor with Silicone Fill; 30 psig Range Limit
20	D0162WL	1	Cable Assembly, Reed Switch, Used with Optional Selections -Z1 and -Z3.
21	X0179FH	1	Spring, Used with Optional Selections -Z1 and -Z3.
22	D0162WD	1	Pole Piece (Nonfixed), Used with Optional Selections -Z1 and -Z3.
23	D0162WB	1	Pole Piece (Fixed), Used with Optional Selections -Z1 and -Z3.
24	P0150JZ	1	Magnet, Used with Optional Selections -Z1 and -Z3.
25	D0162WE	1	Pushbutton Assembly, Used with Optional Selections -Z1 and -Z3.
26	S0106ML	A/R	Adhesive, Screw Lock, Used with Optional Selections -Z1 and -Z3.
27	Below	2	Screw, Pan Hd, Captive, 0.138-32 x 0.915
	D0162VL		Steel (Used with Housing Material Codes 1 and 3)
	D0162CX		316 ss (Used with Housing Material Codes 2 and 4)
*28	Below	1	O-Ring, Housing Neck
	X0201LY		O-Ring, Standard
	X0144KW		O-Ring for use with CSA Certifications only; see WARNING
29	X0118CC	A/R	Lubricant
30	D0197PS	1	Clip, Retention
31	X0174EX	1	Screw, Button Hd; 0.164-32 x 0.25 long

**⚠ WARNING**

To maintain IP66 (IEC 60529) and NEMA 4X protection ratings, unused conduit opening must be plugged (Item 16). In addition, the threaded housing covers must be installed.

**⚠ WARNING**

Failure to install the proper Housing Neck O-Ring (Item 28) for CSA-labeled products violates ANSI/ISA 12.27.01.

Figure 2. OPTIONAL MOUNTING BRACKET ASSEMBLY  
(Optional Selection "-Y" — See Note 2 Below)

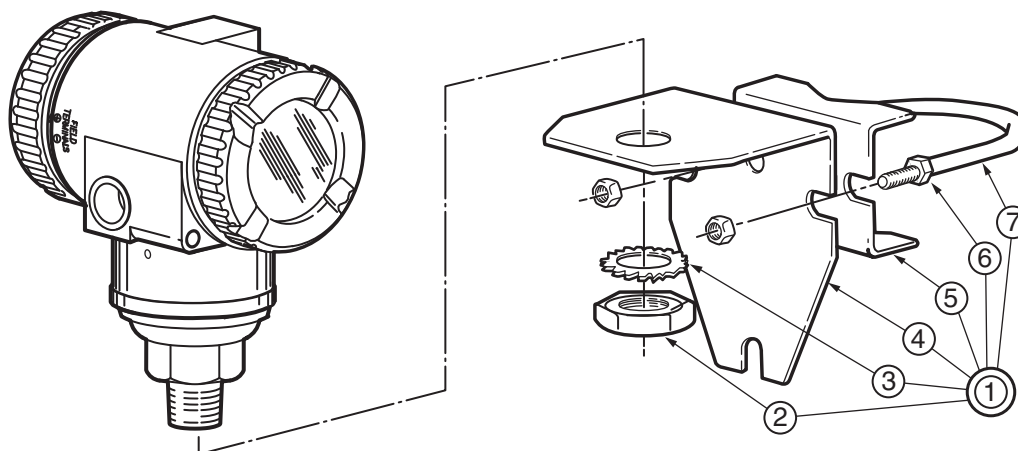


Table 2. Parts for Figure 2

Item	Part No.	Qty.	Part Name
1	AE100AA	Below	Mounting Bracket Assembly (Items 2 to 7)
2	X0171ZY	1	Nut, Hex Jum, 0.875-14
3	X0143SL	1	Washer, External Tooth, 0.875
4	AE100AC	1	Mounting Bracket (for Surface/Pipe Mounting)
5	P0120PC	1	Channel (for Pipe Mounting Only)
6	0011962	4	Nut, Hex, 0.312-18 (for Pipe Mounting Only)
7	D0114SM	1	U-Bolt (for Pipe Mounting Only)

— NOTES —

- Item 1, Mounting Bracket Assembly, consists of Items 2, 3, 4, 5, 6, and 7 as listed above. This assembly can be used for horizontal and vertical pipe mounting, and also for surface mounting. For surface mounting, Items 5, 6, and 7 are not required.
- Each converter is shipped with a mounting bracket assembly. If this assembly is not required, specify Optional Selection "-Y".

RECOMMENDED SPARE PARTS SUMMARY

Figure Number	Item Number	Part Number	Part Name	Number of Parts Recommended for		
				1 Inst.	5 Inst.	20 Inst.
1	4	X0201FC	O-Ring, Cover	1	2	4
	18	Below D0162UA D0162UB	Electronics Module Analog, 4 to 20 mA (Code "-A") Analog, 4 to 20 mA (Code "-I")	0	1	1
	19	D0161TX	Sensor Assembly (a)	0	1	1
	28	Below X0201LY X0144KW	O-Ring, Housing Neck Standard For use with CSA Certifications only.	1	2	4

(a) Co-Ni-Cr sensor with silicone oil fill, and 0.21 MPa (30 psig) Range Limit.

