

## VBS300 / VBS310 – VOLUME BOOSTER SERIES



The VBS300 Volume Booster Series is designed to operate pneumatic valve actuators via a valve positioner. It is recommended for large actuators to reduce positioning time. Volume boosters with Cv 5 and pneumatic connection 1", for remote mounting. **VBS300** in Aluminium, **VBS310** in Stainless Steel 316. The bypass valve is used to adjust dynamic response to provide stable operation over a wide range of actuator sizes.

### FEATURES

- Booster for control applications
- Available in Aluminium or Stainless Steel housing
- Adjustable Bypass Valve
- Compatible with the Full Range of Foxboro Eckardt valve positioners SRP981, SRI986, SRI983, SRI990, SRD991, SRD960 and IP converters IP24, IP26
- Exhaust with internal thread 3/4-14 NPT for connection of an Exhaust Silencer or to be connected to a tube system for exhaust collection



L.&M.  
STRUMENTI DI MISURA  
vendite@lemstrumenti.it

**Foxboro**  
by Schneider Electric

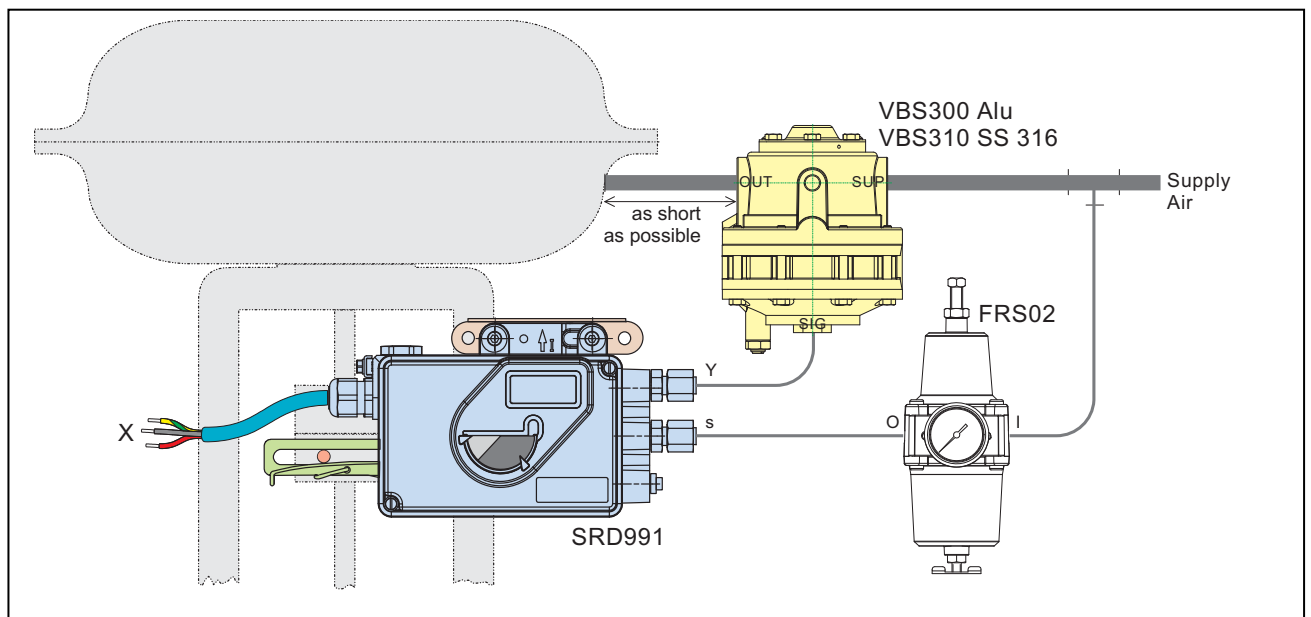
## SPECIFICATIONS

	VBS300	VBS310
Max. Supply Pressure	17 bar / 250 psig	
Max. Signal/Output Pressure	10 bar / 150 psig (controlled by positioner)	
Flow Capacity (Cv) Input	Cv 7	
Flow Capacity (Cv) Exhaust	Cv 5	
Signal/Output Pressure Ratio	1:1	
Housing material	Aluminium	Stainless Steel 316
Diaphragm material	Nitrile	
Supply/Output Connection	1" NPT	
Signal Connection	1/4 NPT	
Ambient Temperature	-40°C to 93°C / -40°F to 200°F	
Weight	2.95 kg / 6.5 lbs	6.8 kg / 15 lbs
Mounting type	remote from Positioner	

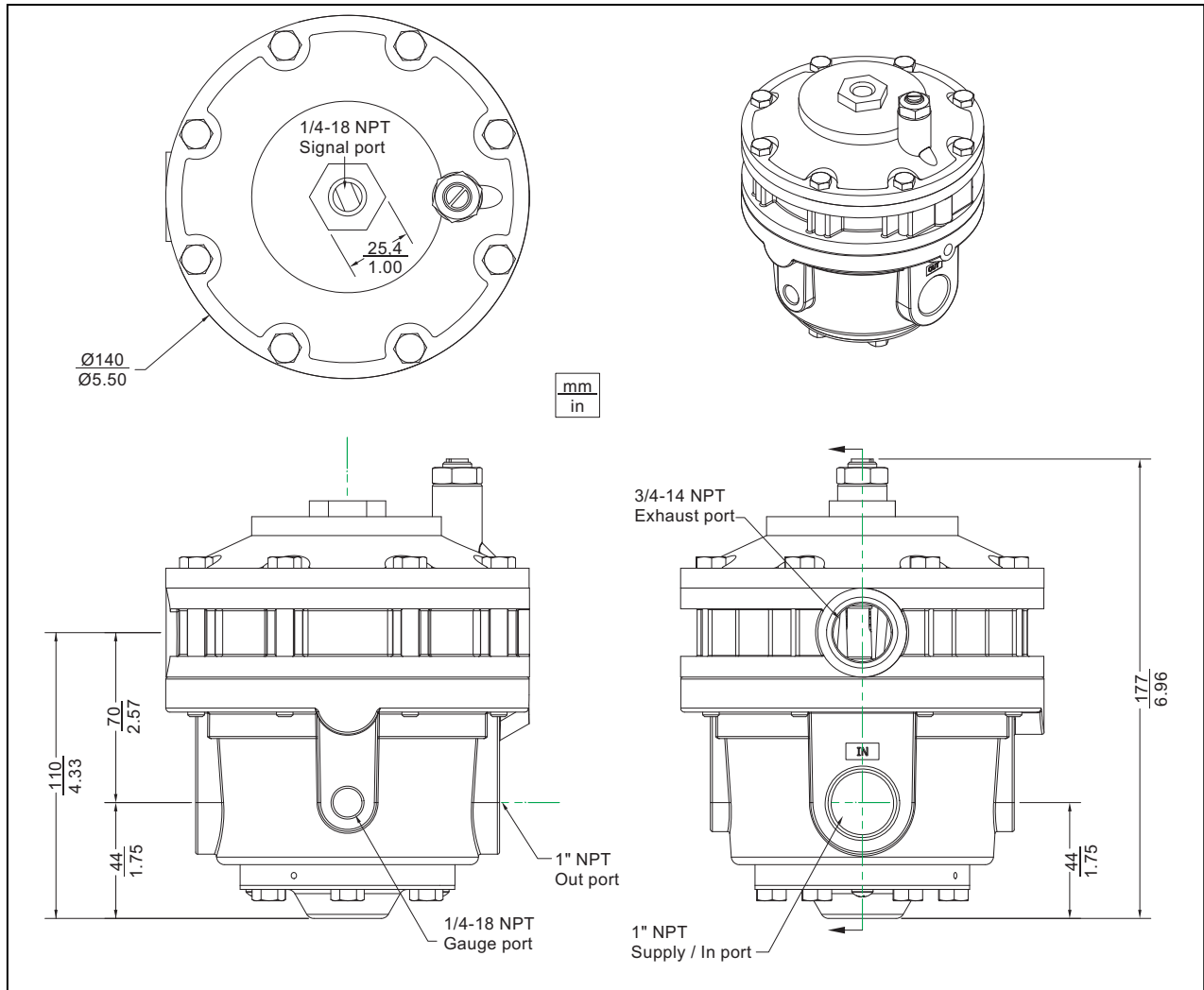
## MODEL CODES VBS300 / VBS310

<b>Volume Booster</b>	VBS	-	-	-
<b>Flow Capacity</b>				
Cv 5		3		
<b>Body Material</b>				
Aluminium			0	
Stainless Steel 316			1	
<b>Mounting Type</b>				
Remote from Positioner				0

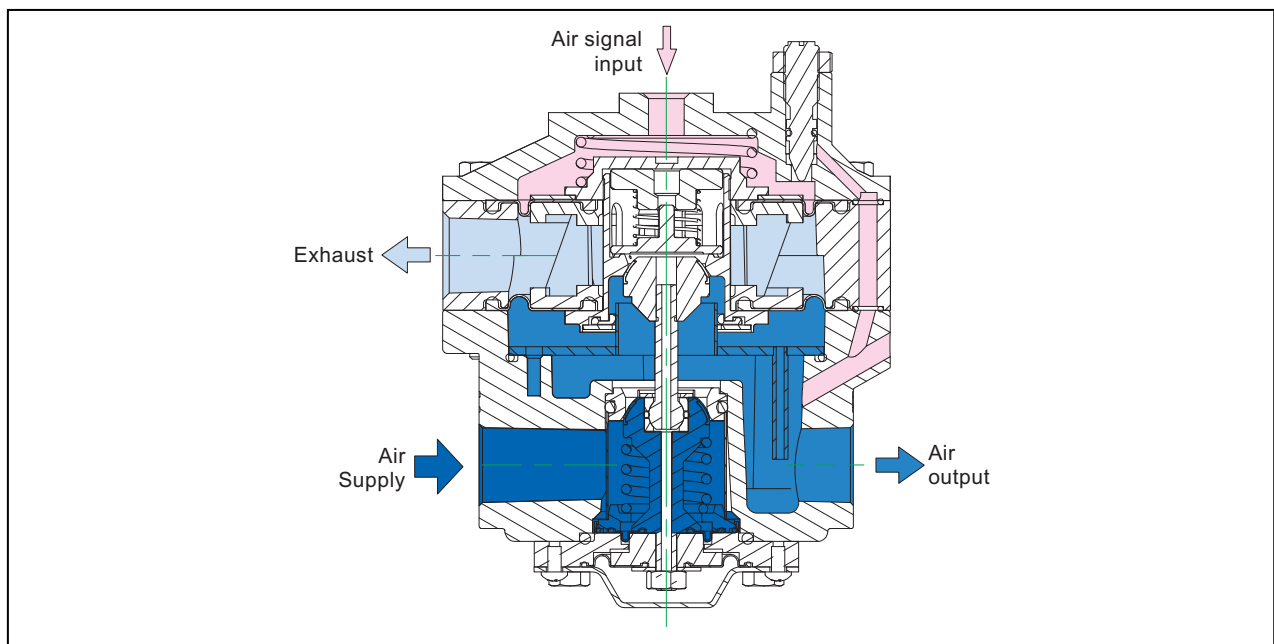
## APPLICATION



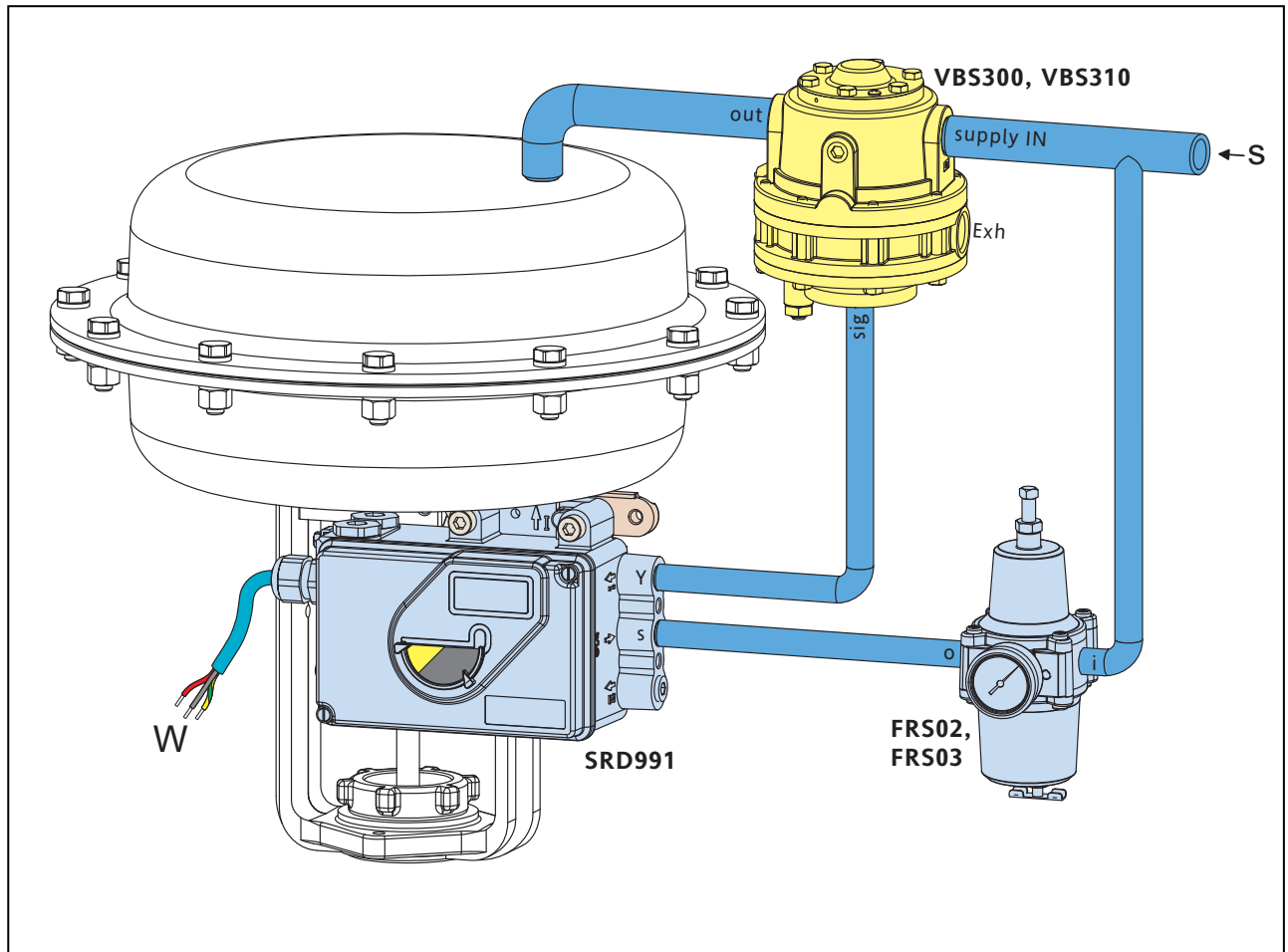
### DIMENSIONS AND CONNECTIONS



### FUNCTIONAL DRAWING



## EXAMPLE FOR MOUNTING



Invensys, Foxboro, Foxboro Evo, Avantis, Eurotherm, IMServ, InFusion, SimSci, Skelta, Triconex and Wonderware are trademarks of Invensys Limited, its subsidiaries or affiliates. All other brands and product names may be trademarks of their respective owners.

© 2015 Invensys Systems, Inc., a Schneider Electric company. All rights reserved. No part of the material protected by this copyright may be reproduced or utilized in any form or by any means, electronic or mechanical, including photocopying, recording, broadcasting, or by any information storage and retrieval system, without permission in writing from Invensys Systems, Inc.

FOXBORO ECKARDT GmbH  
 Pragstr. 82  
 D-70376 Stuttgart  
 Germany  
 Tel. +49 (0)711 502-0  
 Fax +49 (0)711 502-597  
<http://www.foxboro-eckardt.com>

ECKARDT S.A.S.  
 20 rue de la Marne  
 F-68360 Soultz  
 France  
 Tel. + 33 (0)3 89 62 15 30  
 Fax + 33 (0)3 89 62 14 85

DOKT 104 054 082

**Schneider**  
 Electric™