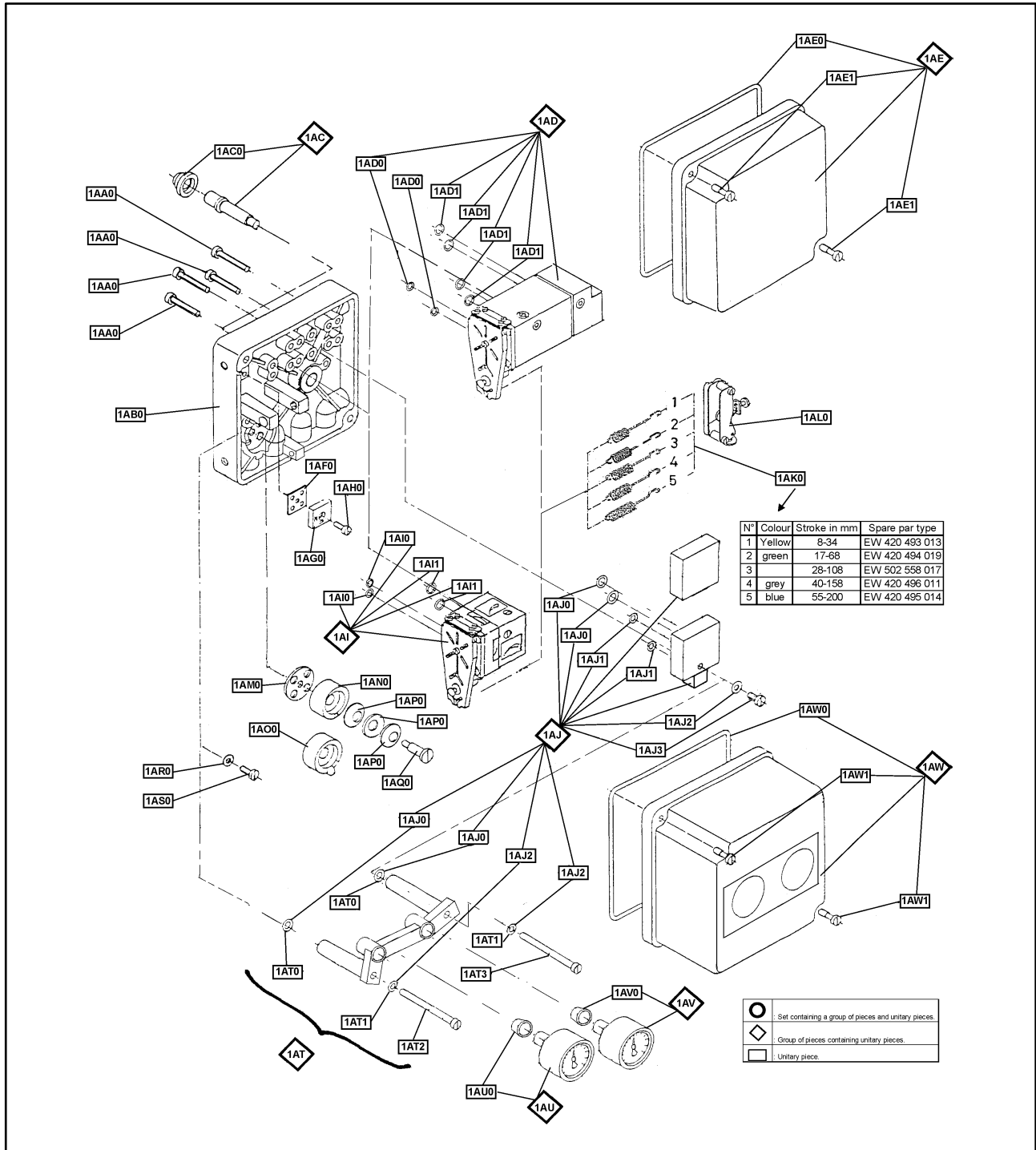


SRP981 Pneumatic Positioner Rev 2.0

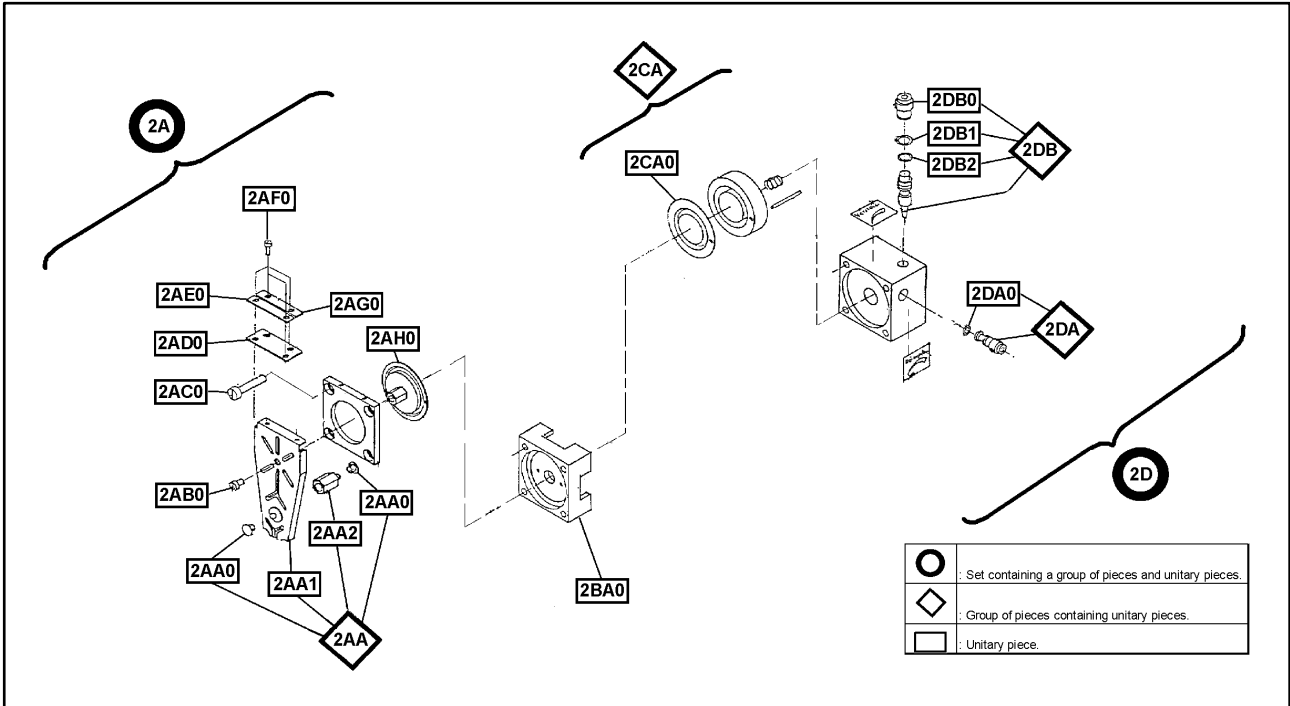
Accessories for the positioner (Fig. 1)



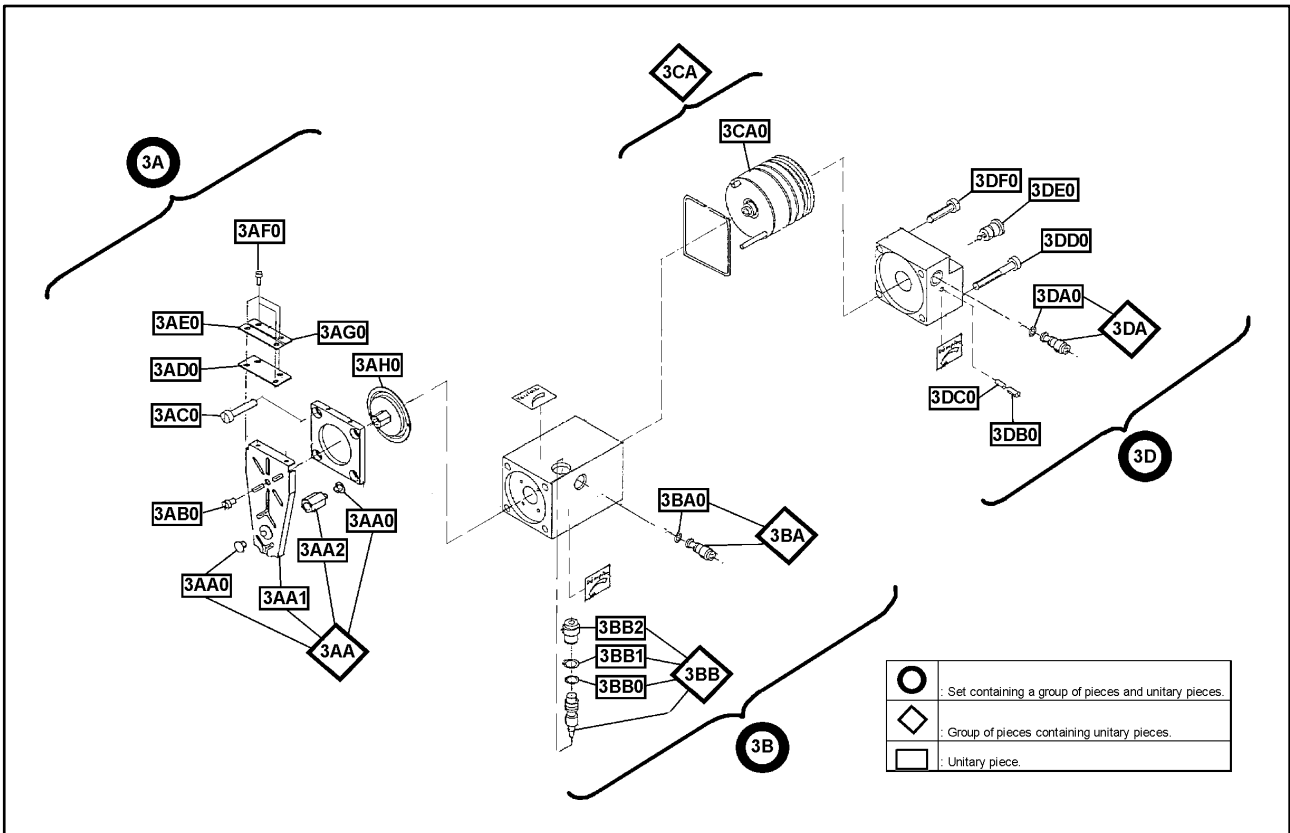
L.&M.
STRUMENTI DI MISURA
vendite@lemstrumenti.it

Foxboro
by Schneider Electric

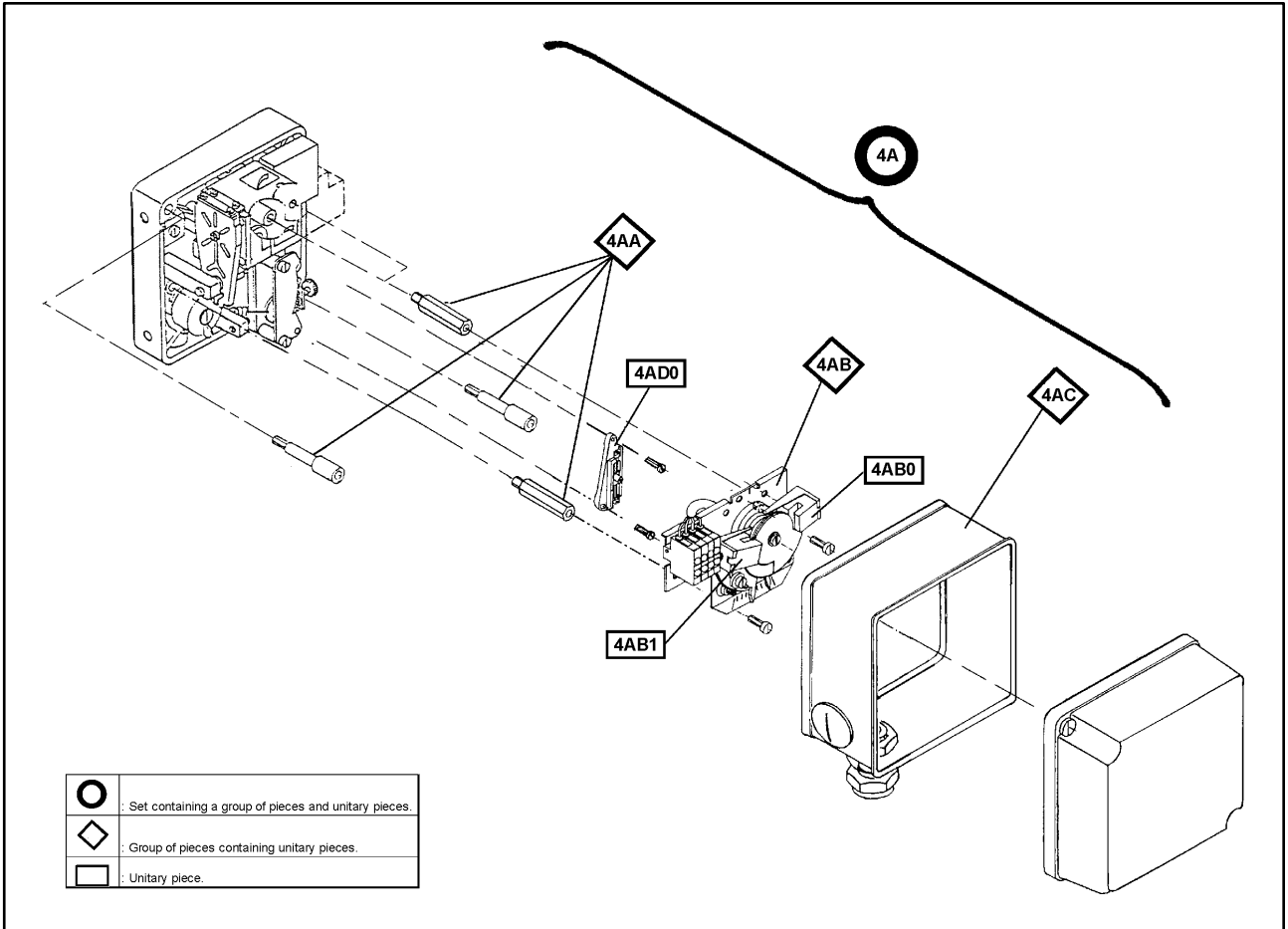
Amplifier single-acting (Fig. 2)



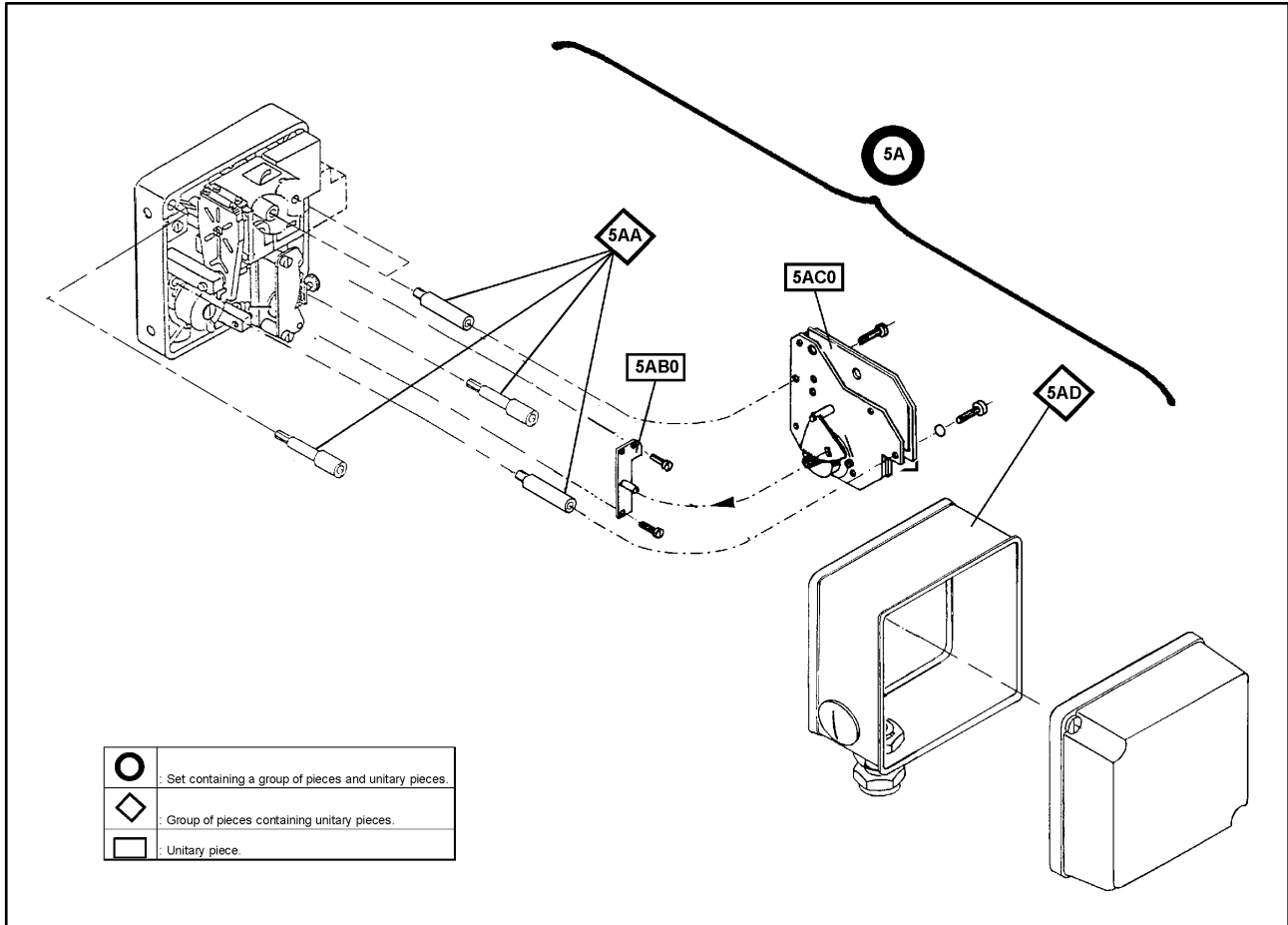
Amplifier double-acting (Fig. 3)



Limit switch assembly (Fig. 4)



Position Transmitter (Fig. 5)



Pos.	Number	Cnt.	Description
1AA0			Screw CHC M3*20
	EW 507 882 012	1	Screw CHC M3*20
1AB0			Air duct plate
	EW 426 267 015	1	Air duct plate
1AC			Shaft
	EW 426 267 024	1	Shaft
1AC0			Plug (in Service Kit single / double-acting EW 426 267 112)
	EW 515 885 012	1	Plug (in Service Kit single / double-acting EW 426 267 112)
1AD			Amplifier double-acting
	EW 411 406 312	1	Amplifier double-acting
1AD0			O-ring (NBR) 2,5*1,2 (6 o-rings in Service Kit single / double-acting EW 426 267 112)
	EW 502 081 055	1	O-ring (NBR) 2,5*1,2 (6 o-rings in Service Kit single / double-acting EW 426 267 112)
1AD1			O-ring (NBR) 4*1,5 (4 o-rings in Service Kit single / double-acting EW 426 267 112)
	EW 502 081 107	1	O-ring (NBR) 4*1,5 (4 o-rings in Service Kit single / double-acting EW 426 267 112)

Pos.	Number	Cnt.	Description
1AE			Cover SRP 981 (standard)
	EW 426 267 033	1	Cover SRP 981 (standard)
1AE0			O-ring (NBR) 390*2,5 (in Service Kit single / double-acting EW 426 267 112)
	EW 700 522 021	1	O-ring (NBR) 390*2,5 (in Service Kit single / double-acting EW 426 267 112)
1AE1			Screw CHC M4*12 (2 screws in Service Kit single / double-acting EW 426 267 112)
	EW 507 839 041	1	Screw CHC M4*12 (2 screws in Service Kit single / double-acting EW 426 267 112)
1AF0			Gasket (in Service Kit single / double-acting EW 426 267 112)
	EW 502 170 018	1	Gasket (in Service Kit single / double-acting EW 426 267 112)
1AG0			Plate (in Service Kit single / double-acting EW 426 267 112)
	EW 505 152 015	1	Plate (in Service Kit single / double-acting EW 426 267 112)
1AH0			Screw CHC M3*8 (in Service Kit single / double-acting EW 426 267 112)
	EW 507 882 449	1	Screw CHC M3*8 (in Service Kit single / double-acting EW 426 267 112)
1AI			Amplifier single-acting
	EW 411 406 019	1	Amplifier single-acting
	EW 411 406 037	1	Amplifier single-acting free of nonferrous metals
1AI0			O-ring (NBR) 2,5*1,2 (6 o-rings in Service Kit single / double-acting EW 426 267 112)
	EW 502 081 055	1	O-ring (NBR) 2,5*1,2 (6 o-rings in Service Kit single / double-acting EW 426 267 112)
1AI1			O-ring (NBR) 4*1,5 (4 o-rings in Service Kit single / double-acting EW 426 267 112)
	EW 502 081 107	1	O-ring (NBR) 4*1,5 (4 o-rings in Service Kit single / double-acting EW 426 267 112)
1AJ			Communication air duct plate
	EW 426 267 042	1	Communication air duct plate
1AJ0			O-ring (NBR) 4*1,5 (4 o-rings in Service Kit single / double-acting EW 426 267 112)
	EW 502 081 107	1	O-ring (NBR) 4*1,5 (4 o-rings in Service Kit single / double-acting EW 426 267 112)
1AJ1			O-ring (NBR) 2,5*1,2 (6 o-rings in Service Kit single / double-acting EW 426 267 112)
	EW 502 081 055	1	O-ring (NBR) 2,5*1,2 (6 o-rings in Service Kit single / double-acting EW 426 267 112)
1AJ2			O-ring (3 o-rings in Service Kit single / double-acting EW 426 267 112)
	EW 502 076 102	1	O-ring (3 o-rings in Service Kit single / double-acting EW 426 267 112)
1AJ3			Screw CHC M4*6 (2 screws in Service Kit single / double-acting EW 426 267 112)
	EW 507 882 519	1	Screw CHC M4*6 (2 screws in Service Kit single / double-acting EW 426 267 112)
1AL0			Adjusting device
	EW 411 406 091	1	Adjusting device
1AM0			Gasket
	EW 502 205 027	1	Gasket

Pos.	Number	Cnt.	Description
1AN0			Commutator without came
	EW 508 852 025	1	Commutator without came
	EW 508 852 025	1	Commutator without came
1AO0			Commutator with came
	EW 508 852 016	1	Commutator with came
1AP0			Spring o-ring
	EW 502 318 016	1	Spring o-ring
1AQ0			Screw
	EW 507 508 011	1	Screw
1AR0			O-ring (3 o-rings in Service Kit single / double-acting EW 426 267 112)
	EW 502 076 102	1	O-ring (3 o-rings in Service Kit single / double-acting EW 426 267 112)
1AS0			Screw CHC M4*6 (2 screws in Service Kit single / double-acting EW 426 267 112)
	EW 507 882 519	1	Screw CHC M4*6 (2 screws in Service Kit single / double-acting EW 426 267 112)
1AT			Manometer support
	EW 426 267 051	1	Manometer support
1AT0			O-ring (NBR) 2,5*1,2 (4 o-rings in Service Kit single / double-acting EW 426 267 112)
	EW 502 081 107	1	O-ring (NBR) 4*1,5 (4 o-rings in Service Kit single / double-acting EW 426 267 112)
1AT1			O-ring (3 o-rings in Service Kit single / double-acting EW 426 267 112)
	EW 502 076 102	1	O-ring (3 o-rings in Service Kit single / double-acting EW 426 267 112)
1AT2			Screw CHC M4*43
	EW 507 881 017	1	Screw CHC M4*43
1AT3			Screw CHC M4*31
	EW 507 881 026	1	Screw CHC M4*31
1AU			Manometer Ø 39
	EW 411 187 116	1	Manometer Ø 39 (0-1,6bar / 0-160kpa / 0-23psi)
1AU0			Gasket for manometer
	EW 528 112 011	1	Gasket for manometer
1AV			Manometer Ø 39
	EW 411 187 091	1	Manometer Ø 39 (0-10bar / 0-1000kpa / 0-150psi)
1AV0			Gasket for manometer
	EW 528 112 011	1	Gasket for manometer
1AW			Cover SRP 981 (for manometer)
	EW 426 267 062	1	Cover SRP 981 (for manometer)
1AW0			O-ring (NBR) 390*2,5 (in Service Kit single / double-acting EW 426 267 112)
	EW 700 522 021	1	O-ring (NBR) 390*2,5 (in Service Kit single / double-acting EW 426 267 112)
1AW1			Screw CHC M4*12 (2 screws in Service Kit single / double-acting EW 426 267 112)
	EW 507 839 041	1	Screw CHC M4*12 (2 screws in Service Kit single / double-acting EW 426 267 112)
			Kit "IP 65" (not illustrated)
	EW 426 267 132	1	Kit "IP 65" (not illustrated)
2A			Kit feeler level (single / double)
	EW 411 406 107	1	Kit feeler level (single / double)
2AA			Feeler lever
	EW 411 406 418	1	Feeler lever

Pos.	Number	Cnt.	Description
2AA0			Flapper platte (2 flappers platte in Service Kit single / double-acting EW 426 267 112)
	EW 505 282 014	1	Flapper platte (2 flappers platte in Service Kit single / double-acting EW 426 267 112)
2AA1			Lever
	EW 401 170 014	1	Lever
2AA2			Hexagonal nut
	EW 401 849 029	1	Hexagonal nut
2AB0			Screw CS M2,5*4
	EW 508 865 498	1	Screw CS M2,5*4
2AC0			Screw CS M3*5
	EW 507 882 129	1	Screw CS M3*16
2AD0			Leaf spring (in Service Kit single / double-acting EW 426 267 112)
	EW 502 311 018	1	Leaf spring (in Service Kit single / double-acting EW 426 267 112)
2AE0			Ledge
	EW 504 149 024	1	Ledge
2AF0			Screw CS M2*4 (4 screws platte in Service Kit single / double-acting EW 426 267 112)
	EW 507 829 016	1	Screw CS M2*4 (4 screws platte in Service Kit single / double-acting EW 426 267 112)
2AG0			Ledge
	EW 504 149 015	1	Ledge
2AH0			Diaphragm group
	EW 411 406 125	1	Diaphragm group
2BA0			Housing
	EW 401 037 038	1	Housing
2CA			Diaphragm group for amplifier single-acting
	EW 411 406 116	1	Diaphragm group for amplifier single-acting
	EW 411 406 393	1	Diaphragm group for amplifier single-acting aluminium
2CA0			Diaphragm
	EW 504 233 026	1	Diaphragm
2D			Behind housing for amplifier single-acting
	EW 411 406 348	1	Behind housing for amplifier single-acting
	EW 411 406 357	1	Behind housing for amplifier single-acting aluminium
2DA			Trotting screw with o-ring
	EW 411 406 436	1	Trotting screw with o-ring
2DA0			O-ring (NBR) 2,5*1,2 (6 o-rings in Service Kit single / double-acting EW 426 267 112)
	EW 502 081 055	1	O-ring (NBR) 2,5*1,2 (6 o-rings in Service Kit single / double-acting EW 426 267 112)
2DB			Trotting screw with o-rings
	EW 411 406 445	1	Trotting screw with o-rings
2DB0			Trotting screw incl. Service Kit single / double-acting EW 426 267 112
	EW 426 267 112	1	Trotting screw incl. Service Kit single / double-acting EW 426 267 112
2DB1			O-ring (NBR) 5*1 (1 o-ring in Service Kit single / double-acting EW 426 267 112)
	EW 502 124 252	1	O-ring (NBR) 5*1 (1 o-ring in Service Kit single / double-acting EW 426 267 112)
2DB2			O-ring (NBR) 3*1 (3 o-rings in Service Kit single / double-acting EW 426 267 112)
	EW 502 081 116	1	O-ring (NBR) 3*1 (1 o-ring in Service Kit single / double-acting EW 426 267 112)

Pos.	Number	Cnt.	Description
3A			Kit feeler level (single / double)
	EW 411 406 107	1	Kit feeler level (single / double)
3AA			Feeler lever
	EW 411 406 418	1	Feeler lever
3AA0			Flapper platte (2 flappers platte in Service Kit single / double-acting EW 426 267 112)
	EW 505 282 014	1	Flapper platte (2 flappers platte in Service Kit single / double-acting EW 426 267 112)
3AA1			Lever
	EW 401 170 014	1	Lever
3AA2			Hexagonal nut
	EW 401 849 029	1	Hexagonal nut
3AB0			Screw CS M2,5*4
	EW 508 865 498	1	Screw CS M2,5*4
3AC0			Screw CS M3*5
	EW 507 882 129	1	Screw CS M3*16
3AD0			Leaf spring (in Service Kit single / double-acting EW 426 267 112)
	EW 502 311 018	1	Leaf spring (in Service Kit single / double-acting EW 426 267 112)
3AE0			Ledge
	EW 504 149 024	1	Ledge
3AF0			Screw CS M2*4 (4 screws platte in Service Kit single / double-acting EW 426 267 112)
	EW 507 829 016	1	Screw CS M2*4 (4 screws platte in Service Kit single / double-acting EW 426 267 112)
3AG0			Ledge
	EW 504 149 015	1	Ledge
3AH0			Diaphragm group
	EW 411 406 125	1	Diaphragm group
3B			Front housing of the double-acting
	EW 411 406 366	1	Front housing of the double-acting
3BA			Trotting screw with o-ring
	EW 411 406 436	1	Trotting screw with o-ring
3BA0			O-ring (NBR) 2,5*1,2 (6 o-rings in Service Kit single / double-acting EW 426 267 112)
	EW 502 081 055	1	O-ring (NBR) 2,5*1,2 (6 o-rings in Service Kit single / double-acting EW 426 267 112)
3BB			Trotting screw with o-rings
	EW 411 406 445	1	Trotting screw with o-rings
3BB0			O-ring (NBR) 5*1 (1 o-ring in Service Kit single / double-acting EW 426 267 112)
	EW 502 124 252	1	O-ring (NBR) 5*1 (1 o-ring in Service Kit single / double-acting EW 426 267 112)
3BB1			O-ring (NBR) 3*1 (1 o-ring in Service Kit single / double-acting EW 426 267 112)
	EW 502 081 116	1	O-ring (NBR) 3*1 (1 o-ring in Service Kit single / double-acting EW 426 267 112)
3BB2			Trotting screw incl. Service Kit single / double-acting EW 426 267 112
	EW 426 267 112	1	Trotting screw incl. Service Kit single / double-acting EW 426 267 112
3CA			Diaphragm group for amplifier double-acting
	EW 411 406 251	1	Diaphragm group for amplifier double-acting

Pos.	Number	Cnt.	Description
3CA0			Diaphragm
	EW 415 980 023	1	Diaphragm
3D			Behind housing for amplifier double-acting
	EW 411 406 339	1	Behind housing for amplifier double-acting
3DA			Trotting screw with o-ring
	EW 411 406 436	1	Trotting screw with o-ring
3DA0			O-ring (NBR) 2,5*1,2 (6 o-rings in Service Kit single / double-acting EW 426 267 112)
	EW 502 081 055	1	O-ring (NBR) 2,5*1,2 (6 o-rings in Service Kit single / double-acting EW 426 267 112)
3DB0			Threaded pin M3*6
	EW 527 334 011	1	Threaded pin M3*6
3DC0			Pin
	EW 522 629 015	1	Pin
3DD0			Screw CS M3*25
	EW 507 882 742	1	Screw CS M3*25
3DE0			Sleeve
	EW 415 979 038	1	Sleeve
3DF0			Screw CS M3*16
	EW 507 882 129	1	Screw CS M3*16
4A			Kit limit switch assembly (standard)
	EW 419 510 334	1	Kit limit switch assembly standard version
	EW 419 510 352	1	Kit limit switch assembly security version
	EW 419 510 291	1	Kit limit switch assembly Three-Wire Technique
	EW 421 421 017	1	Kit limit switch assembly with two Micro Switches
4AA			Pilar for limit switch assembly
	EW 426 267 071	1	Pilar for limit switch assembly for the single-acting
	EW 426 267 089	1	Pilar for limit switch assembly for the double-acting
4AB			Limit switch assembly
	EW 419 495 041	1	Limit switch assembly standard version
	EW 419 495 059	1	Limit switch assembly security version
	EW 419 495 032	1	Limit switch assembly Three-Wire Technique
	EW 420 422 012	1	Limit switch assembly with two Micro Switches
4AB0			Contact
	EW 414 920 027	1	Contact standard version
	EW 414 638 021	1	Contact security version
	EW 530 115 012	1	Contact Three-Wire Technique
	EW 420 420 022	1	Contact Micro Switch
4AB1			Contact
	EW 414 920 027	1	Contact standard version
	EW 414 638 021	1	Contact security version
	EW 530 115 012	1	Contact Three-Wire Technique
	EW 420 420 011	1	Contact Micro Switch
4AC			Cover
	EW 426 267 121	1	Cover
4AD0			Kit adjusting
	EW 419 340 019	1	Kit adjusting
5A			Position Transmitter Kit
	EW 420 661 092	1	Position Transmitter Kit
5AA			Pilar for limit Position Transmitter
	EW 426 267 098	1	Pilar for limit Position Transmitter for the single-acting
	EW 426 267 103	1	Pilar for limit Position Transmitter for the double acting
5AB0			Adjusting plate
	EW 420 662 013	1	Adjusting plate

Pos.	Number	Cnt.	Description
5AC0			Position Transmitter
	EW 420 664 032	1	Position Transmitter
5AD			Cover
	EW 426 267 121	1	Cover

Important notices:

For spare parts supplies for devices with certification resp. for supply of spare parts with certification we only warrant that the supplied spare part in its delivery condition is suitable for the certification as indicated by purchaser.

Validity of a certification generally becomes effective after orderly assembly to the complete device. Herefore, we do not assume any guarantee.

For the repair and change of explosionproof devices, the national regulations have to be observed.

Indicate complete model code of original device as far as possible when ordering spare parts. Only valid model code combinations are allowed.

Subject to alterations - reprinting, copying and translation prohibited. Products and publications are normally quoted without reference to existing patents, registered utility models or trademarks. The lack of any such reference does not justify the assumption that a product or symbol is free.

Foxboro Eckardt GmbH
Postfach 50 03 47
D-70333 Stuttgart
Tel. # 49 (0)711 502-0
Fax # 49 (0)711 502-597

Foxboro[®]
by **Schneider Electric**