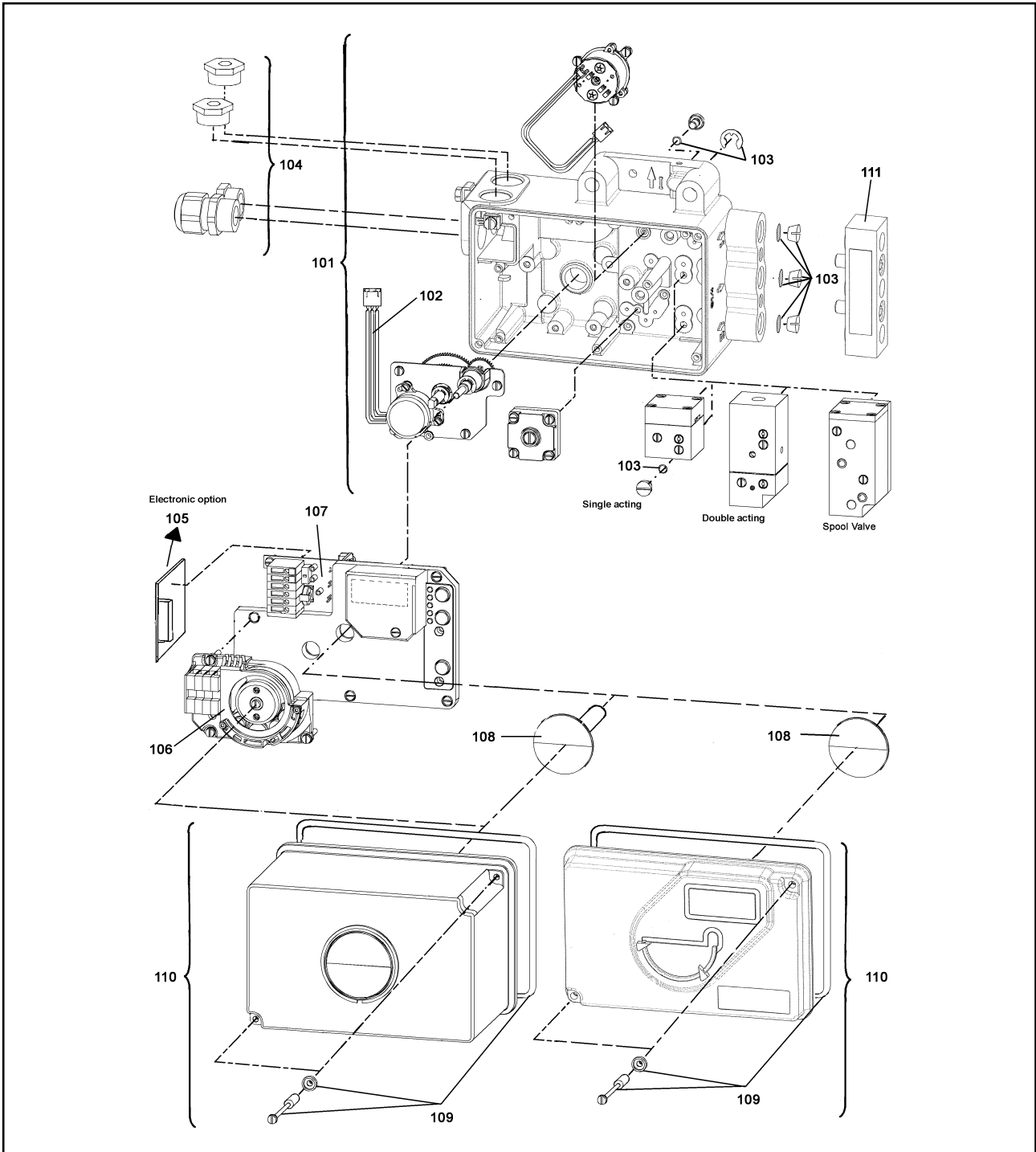


SRD991-CDFS1ZZZR-V06

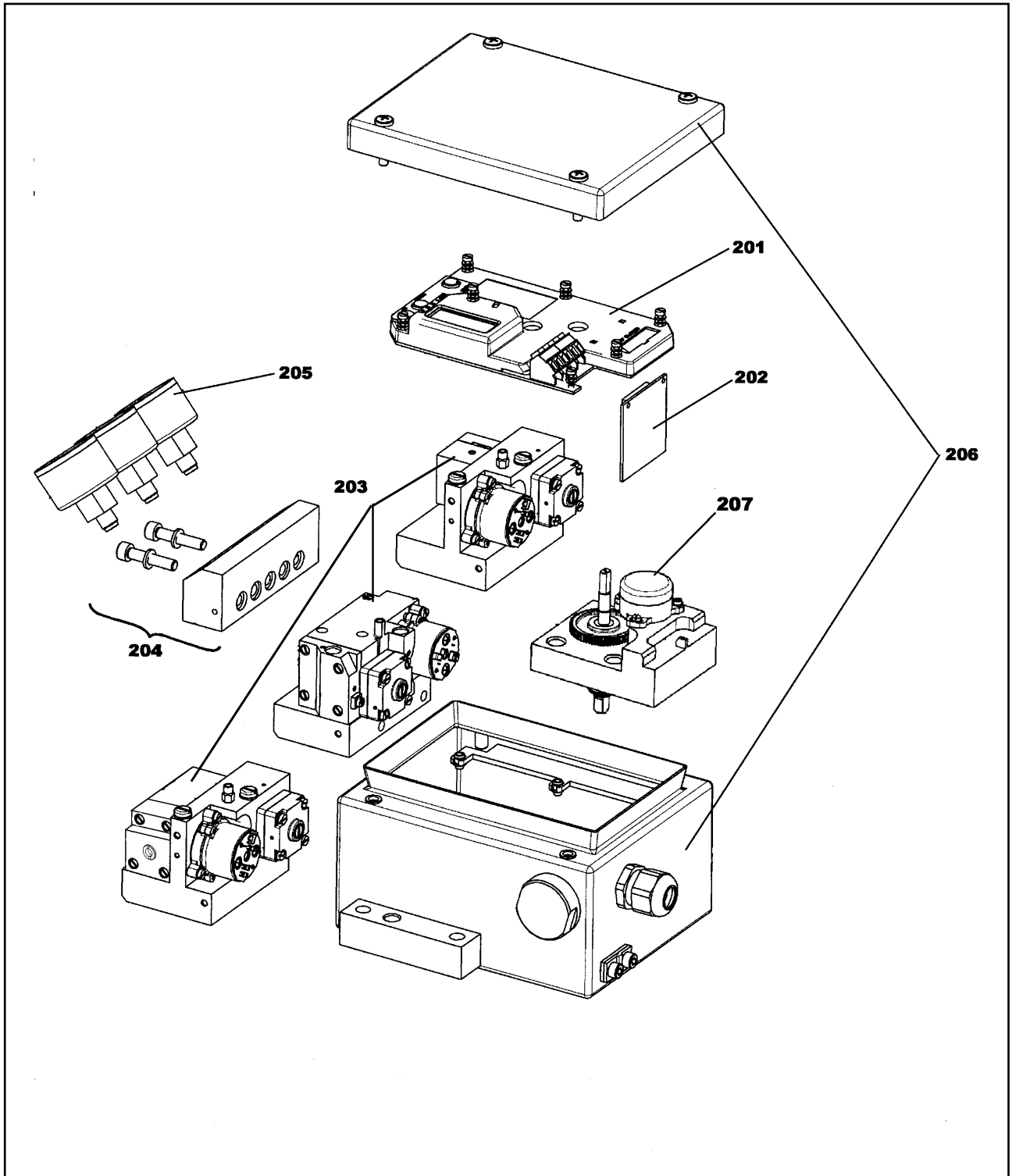
Intelligent Positioner (intrinsically safe)

Revision 3.5 and Revision 3.6

Spare part list



Spare part list (316L)



Modelcode SRD991-CDFS1ZZZNR-V06**AUSFÜHRUNG:**

C Double Acting

EINGANG/KOMMUNIKATION:

D Intelligent without communication (4 - 20 mA)

ZUSÄTZLICHE EIN-/AUSGÄNGE:

F Position Feedback 4 - 20 mA and one Binary Output

GRENZWERTGEBER EINGEBAUT:

S Without Built-In Limit Switch

KABELEINFÜHRUNG:

1 M20 x 1.5 Without Cable Gland

EXPLOSIONSSCHUTZ:

ZZZ Without Ex

ANBAUSATZ:

N Order as Auxiliary

ANSCHLUßLEISTE

R Pneumatic connection G 1/4

Options

V06 LCD with Menu-Language in English / German / Italian

Pos.	Number	Cnt.	Description
101	EW 411 407 618	1	Pneumatic unit
102	EW 424 598 053	1	Connection cable potentiometer
103	EW 411 407 041	1	Service Kit
104	EW 411 407 557	1	Lock screw
105	EW 426 434 228	1	Option board
106	not used		Limit switch
107	EW 411 407 751	1	Electronic SRD991
108	EW 533 462 032	1	Travel indicator
109	EW 411 407 431	1	Washer
110	EW 424 069 057	1	Cover
111	not used		Adapter G1/4 to 1/4-18NPT
112	EW 411 407 947	1	Supplement Kit for new cover (not illustrated)
113	EW 425 014 038	1	Angle calibrator (not illustrated)
201	not used		Electronic SRD991 (316L)
202	not used		Option board (316L)
203	not used		Pneumatic unit (316L)
204	not used		Manifold without gauges (316L)
205	not used		Stainless Steel Gauges (316L)
206	not used		Stainless Steel Housing (316L)
207	not used		Potentiometer unit (316L)
208	not used		Connection cable potentiometer<CRLF>(316L) (not illustrated)
209	not used		Angle calibrator (not illustrated) (316)
210	not used		Screw plug (316L) (not illustrated)

Important notices:

For spare parts supplies for devices with certification resp. for supply of spare parts with certification we only warrant that the supplied spare part in its delivery condition is suitable for the certification as indicated by purchaser.

Validity of a certification generally becomes effective after orderly assembly to the complete device. Herefore, we do not assume any guarantee.

For the repair and change of explosionproof devices, the national regulations have to be observed.

Indicate complete model code of original device as far as possible when ordering spare parts. Only valid model code combinations are allowed.

Subject to alterations - reprinting, copying and translation prohibited. Products and publications are normally quoted without reference to existing patents, registered utility models or trademarks. The lack of any such reference does not justify the assumption that a product or symbol is free.

Foxboro Eckardt GmbH
Postfach 50 03 47
D-70333 Stuttgart
Tel. # 49 (0)711 502-0
Fax # 49 (0)711 502-597

